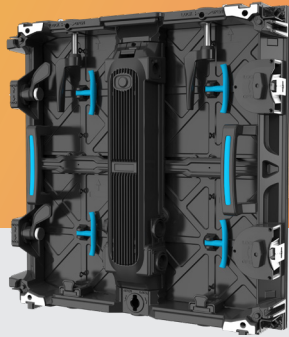


M Series

OUTDOOR LED



The M Series outdoor LED is ideal when you need an outdoor display that is mobile. The vast features and high quality components make it one of the best options on the market for touring, outdoor shows, corporate events, and any other outdoor functions that could use a large display.

FEATURES



Energy Efficient



Ultra Light



Smart Module



High Gray Scale



Fast Assembly



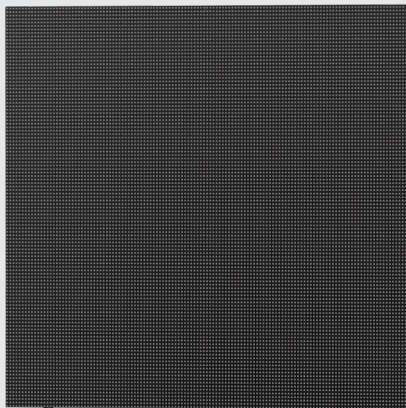
Front & Rear Access



IP65



Flexible in Shape

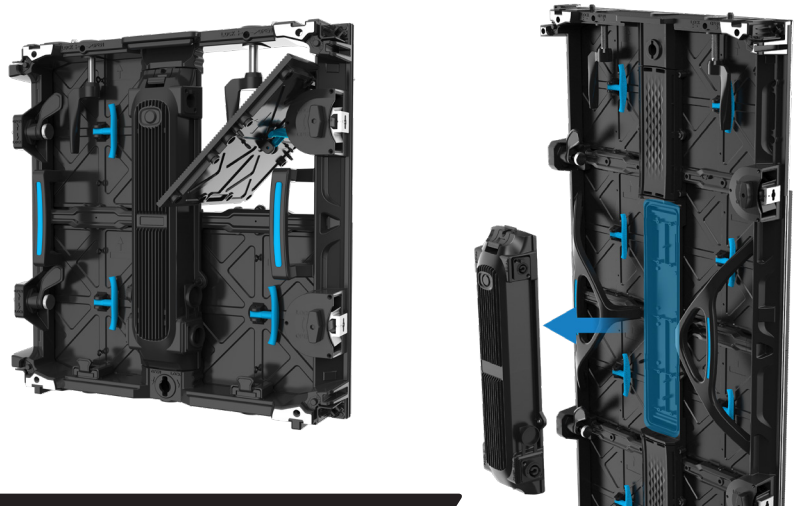


Full Black LED

The most obvious advantage of the blackbody LED is its high contrast ratio. The higher the contrast ratio, the clearer and more vivid the display will be. It provides deeper blacks and more accurate colors throughout the spectrum. It is much less reflective as well, making it ideal for outdoor or brightly lit environments.

Easy Setup & Maintenance

The M Series features ergonomic handles and an automatic locking system allowing an individual to easily assemble the display. The LED modules are front or rear serviceable, and the power/data box can be removed with one click. It features a patented structural frame with corner protection.

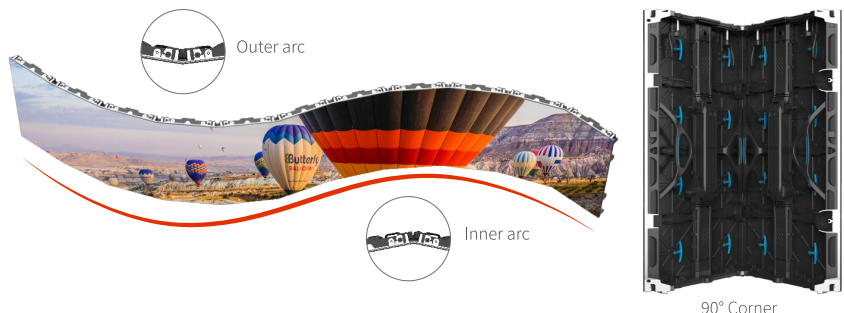


Very Bright & Energy Saving

The M-Series utilizes Common Cathode Technology. This is a much more efficient way of delivering power to the individual colors: Red, Green, and Blue. Each color has different voltage requirements, and with Common Cathode we can control the amount of voltage that is delivered. This provides up to 75% energy savings, and allows us to achieve a much brighter display.

Unique Screen Configurations

The M Series allows you to create curved or even circular LED Displays. The Radian Connector can adjust between $\pm 6^\circ$, $\pm 3^\circ$, 0° , and even allow for 90° corners.



90° Corner

Call Us: (877) 347-3533
 Email Us: sales@fireflyled.com
 www.fireflyled.com

Specification	M39550	M48550
Pixel Pitch	3.9 mm	4.8 mm
LED Type	SMD1921	SMD1921
Pixel Density	102400 /m ²	65536 /m ²
Module Dimension (W×H)	9.84 in. x 9.84 in. / 250×250 mm	9.84 in. x 9.84 in. / 250×250 mm
Module Resolution (W×H)	64×64 px	52×52 px
Module Thickness	15.6 mm	15.6 mm
Cabinet Dimension (W×H×D)	19.69 in. x 19.69 in. / 500×500 mm	19.69 in. x 19.69 in. / 500×500 mm
Cabinet Resolution (W×H)	128×128 px	104×104 px
Cabinet Weight	19.8 lbs	19.8 lbs
Brightness	5000 nits	5000 nits
Gray Scale	16 bit	16 bit
Refresh Rate	3840 Hz	3840 Hz
Access	Front / Rear Access	Front / Rear Access
Ingress Protection	IP65	IP65
Max. Power Consumption	150 watts each	150 watts each
Avg. Power Consumption	60 watts each	60 watts each

