

OHD Series

OUTDOOR LED



The OHD Series is designed for applications when you need a higher resolution outdoors. Featuring only the highest quality components, and latest in manufacturing advancements. Ideal for restaurants/bars, amenity decks, outdoor advertising, way finding, or anywhere you need an outdoor display with viewers relatively close.

FEATURES



Energy Efficient



Ultra Light



Smart Module



High Gray Scale



Fast Assembly



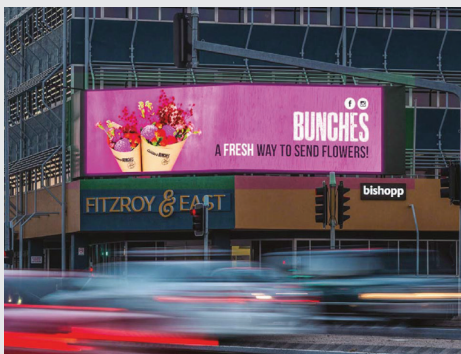
Front & Rear Access



IP65

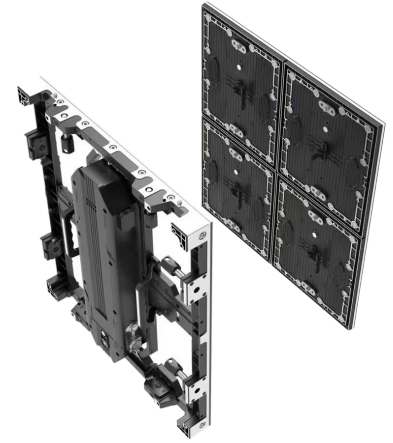


Flexible in Shape



High Strength Aluminium Structure

The precision aluminum diecast frame ensures perfect uniformity, but still very lightweight for a LED video panel at only 21 pounds each.

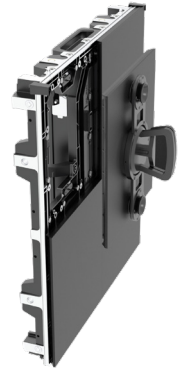


High IP Rating

Each individual LED Module is hermetically sealed providing maximum protection against dust, water, and other environmental concerns. The LED module itself, as well as the entire panel, has an IP65 ingress protection rating.

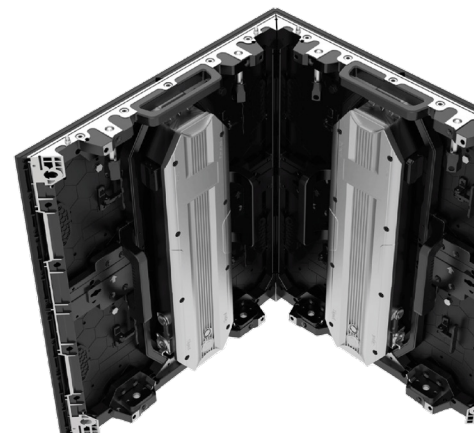
Patented S-Latch System

This feature allows for full front access to all components. It not only utilizes high strength magnets, but also our patented locking system. This system prevents theft, modules from falling off during extremely high winds or other natural disasters, and allows them to be installed in areas where you might have concerns about vibration, high traffic, or other types of interference.



8:9 Aspect Ratio and 90 Degree Corners

Our OHD Series was designed in a 8:9 aspect ratio to allow for a variety of configurations and ideal for maintaining a 16:9 aspect ratio. This line also allows for 90 degree corner configurations utilizing a 45 degree cut LED module, giving it the tightest gap available in the industry.



Call Us: (877) 347-3533
 Email Us: sales@fireflyled.com
 www.fireflyled.com

Specification	OHD15	OHD19	OHD25
Pixel Pitch	1.5 mm	1.9 mm	2.5 mm
Pixel Density	444,444 /m ²	284,444 /m ²	160,000 /m ²
Module Dimension (W×H)	18.9 in. x 21.3 in. x 2.75 in. / 480×540×70 mm		
Module Resolution (W×H)	160×180 px	128×144 px	96×108 px
Cabinet Weight	21 lbs / 9.5 kg		
Cabinet Material	Aluminum		
Brightness	>4000 nits		3500 nits
Color Temperature	8000K ± 500K		
Contrast Ratio	4000 :1		
Refresh Rate	1920 - 3840 Hz		
Viewing Angle	H 160° / V 160°		
Access	Front & Rear Access		
Ingress Protection	Front & Rear IP65		
LED Lifespan	100,000 h		
Working Temperature	-4°F~122°F		
Storage Temperature	-22°F~140°F		
Max. Power Consumption	720 w/m ²		
Avg. Power Consumption	216 w/m ²		

